

ESD-F 1000 inlet cone AXC

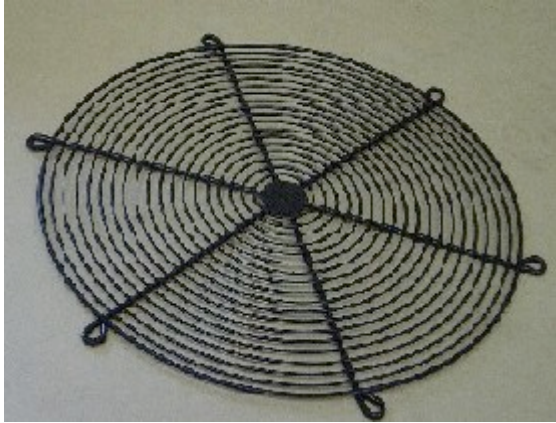
Inlet cone ESD-F



The inlet cone is manufactured from galvanised steel.



	$\varnothing d1$	$\varnothing de$	$\varnothing d2$	$\varnothing da3$	$\varnothing da4$	H	$n \times \varnothing d3$	$m \times \varnothing d4$
ESD-F 1000	1070	1003	1190	1242	1105	160	16x $\varnothing 15$	20x $\varnothing 15$

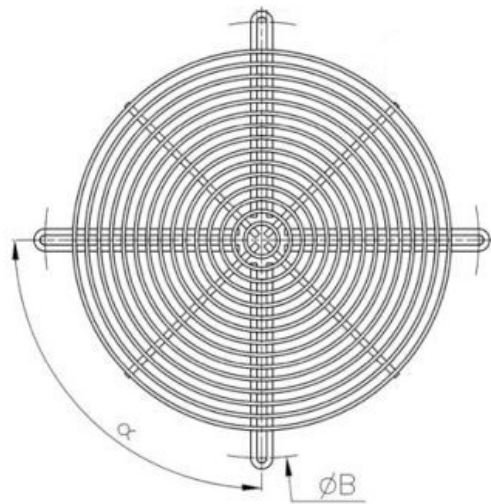


SG AXC/AM guard grill

Art no: 310696

Protection guard

For axial fans of the Range AXC and AR sileo with flange dimensions according Eurovent 1/2. Black plastic cover. Available in different dimensions.



	ØB	α	kg
800	860	45°	3
900	970	45°	2,5
1000	1070	22,5°	5
1120	1190	18°	3
1250	1320	18°	6